

The 0-6-0 Locomotive has had improvements over the past few months, the addition of double pickups has improved slow running over points and Diamond Crossings.

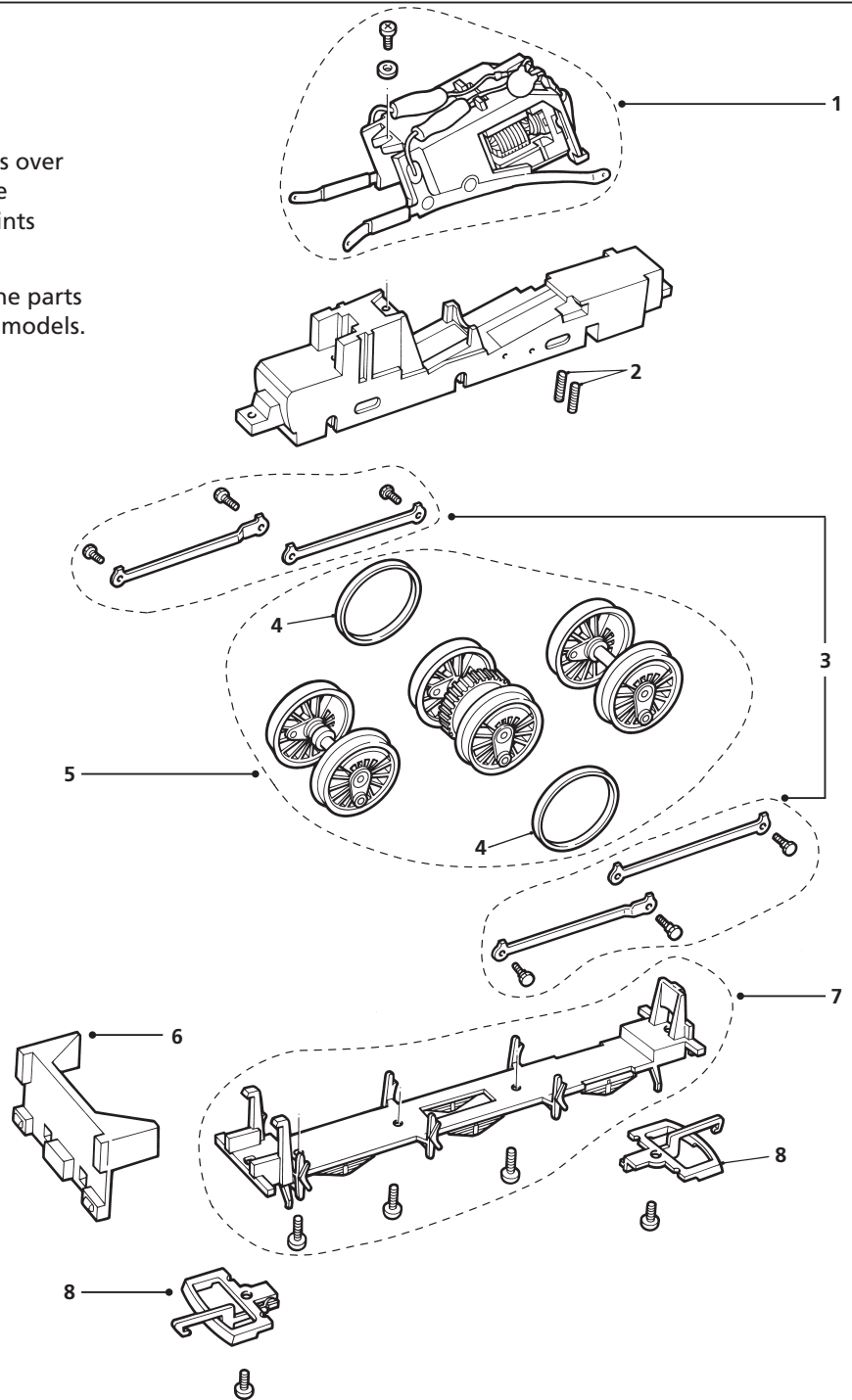
Due to the improvements, the majority of the parts are now not interchangeable with previous models.

PLEASE NOTE

The 0-6-0 Locomotive chassis is designed to provide a strong hauling locomotive with good electrical pickup and low weight.

A balance has to be achieved between the strength of the coil springs holding the rear driving axle down and the body weights which compress the springs and keep the traction-tyred centre wheels in contact with the track. Therefore, the chassis cannot be performance tested without the body in place.

The spring pressure may be reduced by snipping off one coil from each spring. Pressure can be increased by inserting discs of paper or cardboard, 2mm. in diameter, into the spring location holes before refitting the springs.



LIST OF SPARES

Item No.	Description	Pack	R2256	R2186C	R2333 R2334 R2400A	R2198A R2274 R2328A/B R2534	R2239 R2541	R2164A/B R2186A/B	R2111 R2163	R2006W R2155A/B/C R760B R2325 R2658	R2123 R2157A/B R2657 R2674	R2324, R2401 R2468, R2469 R2540, R2546
1	Motor & Retainer Assembly	1	X8809	X8809	X8809	X8809	X8809	X8809	X8809	X8809	X8809	X8809
2	Compression Springs	10	X8114	X8114	X8114	X8114	X8114	X8114	X8114	X8114	X8114	X8114
3	Coupling Rods & Screws	set	X9014	X8877	X8875	X8877	X8876	X8877	X8875	X8877	X8876	X8877W
4	Traction Tyres	10	X8101	X8101	X8101	X8101	X8101	X8101	X8101	X8101	X8101	X8101
5	Wheel / Axle Set	set	X9015	X8872	X8871	X8871	X8872	X8872	X8871	X8871	X8871	X8871W
6	Body Mounting Clip	1	N/A	N/A	N/A	N/A	N/A	N/A	L5717	N/A	L5717	N/A
7	Chassis Bottom & Screws	1	X8019SK	X8019SK	X8019SK	X8019SK	X8019SK	X8019SK	X8019SK	X8019SK	X8019SK	X8019SKW
8	Couplings	10	X8031W	X8031	X8031	X8031	X8031	X8031	X8031	X8031	X8031	X8031W
not illustrated	Motor & Worm Assembly	1	X8202	X8202	X8202	X8202	X8202	X8202	X8202	X8202	X8202	X8202
not illustrated	Worm & Worm Wheel	1+1	X8199	X8199	X8199	X8199	X8199	X8199	X8199	X8199	X8199	X8199